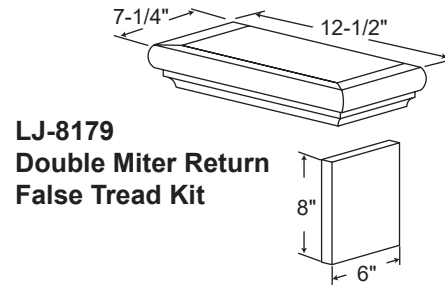
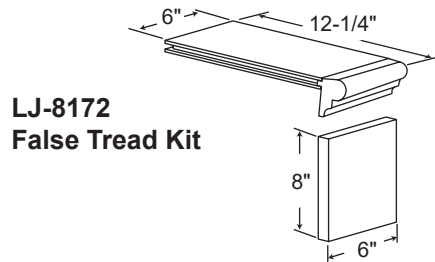


The LJ-8172 and LJ-8179 False Tread Kits are intended as an economical substitute for standard LJ-8070 Treads and LJ-8075 Risers when a carpet runner is being used on a stair. The guidelines below will help the carpenter prepare the rough stair and install the False Treads and Risers. L.J. Smith recommends the use of screws, whenever possible, and glue on all contact surfaces.



IMPORTANT: Please read these instructions completely before beginning installation!

PART 1 -- BUILDING THE ROUGH STAIR

1. Lay out the three rough horses to the required rise and run (C and B respectively). Accuracy is important for ease of fitting the false treads and risers later. (See Figure 1.)

NOTE: If using the LJ-8010-2 False Starting Step, see Part 5 before cutting the rough horses.

2. Allowing space against the stud wall for drywall and a finished skirtboard, space the rough horses equally and secure the top and bottom into place. (See Figure 1 and Figure 2 page 2.)
3. Cut the subriser to the overall width of the rough stairs and install. (See Figure 1.)

NOTE: Always install all of the risers before any treads.

4. Using Figure 1 and the steps below, prepare the subtreads.

A= The overall rough stair width.

B= The rough stair run.

C= The rough stair rise.

D= 1 1/4" nosing to keep carpet even with the nosing on false ends.

E= Notch the closed end of the subtread 1 1/4" deep and 6" wide for the false ends.

F= Notch the open end of the subtread 1 1/4" deep and 6" wide for the false ends. **NOTE: Subtract drywall and finished skirtboard thickness from the 6" width.**

If using 2x12's for the subtreads, chamfer the bottom edge of **D** in Figure 1.

Install subtreads using screws and construction adhesive to reduce the chance of a squeaky stair.

5. Install the finished skirtboard on the closed side of the stair. (See Figure 2 page 2, if applicable.)
6. When cutting out the open side finished skirtboard, miter cut each rise at 45° (See Figure 2 page 2.) to avoid exposing end grain on the false riser. Install the finished skirtboard. (See Figure 2 page 2, if applicable.)

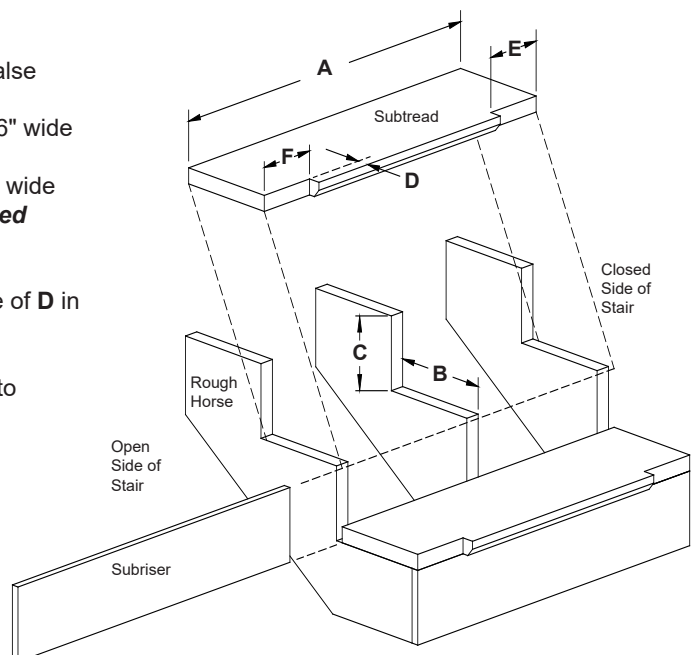


Figure 1

PART 2 -- INSTALLING THE FALSE RISERS

NOTE: If using the LJ-8010-2 False Starting Step, do not install a False Riser at the first rise on the open side of the stair. (See Figure 5c page 4.)

1. Fit and install the false risers on the closed side of the stair **G** using glue and finish nails. (See Figure 2.)
2. Cut a 45° miter on all false risers for the open side of the stair **H**. Fit and install the risers on the open side of the stair **H** using glue and finish nails. (See Figure 2.)

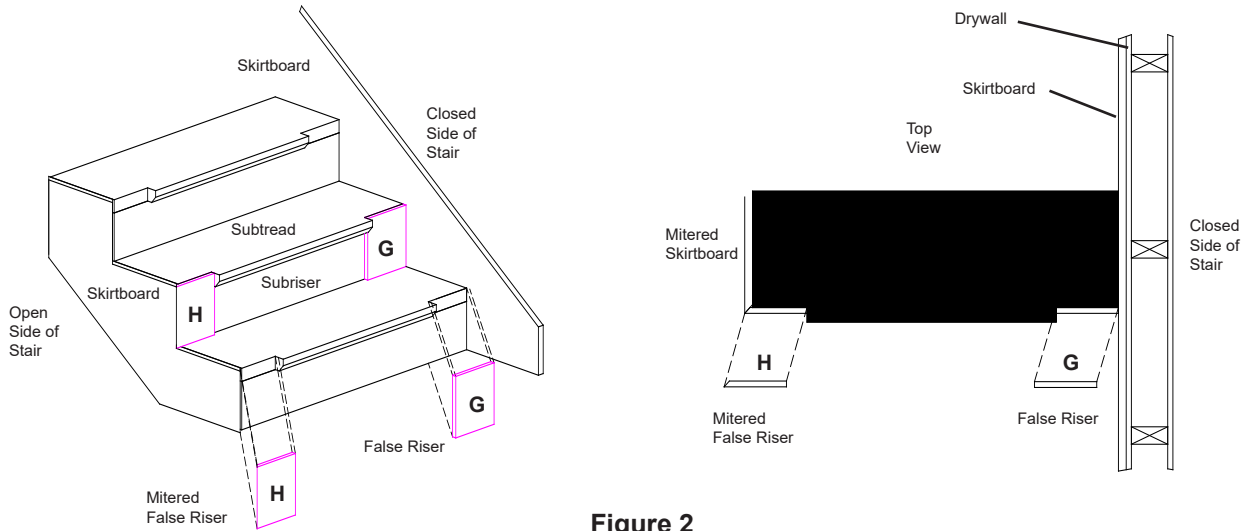


Figure 2

PART 3 -- INSTALLING THE LJ-8172 FALSE TREADS ON THE CLOSED SIDE OF THE STAIR

NOTE: If using the LJ-8010-2 False Starting Step, read all of Part 5 before beginning this procedure.

1. Place the false treads on the closed side of the stair and mark the length needed from the face of one false riser **K**. (See Figure 3.)
2. Cut and fit the false treads to length for the closed side of the stair **L**. (See Figure 3a.)
3. Install the assembled false treads to the stair using glue and finish nails **M**. (See Figure 3b.)

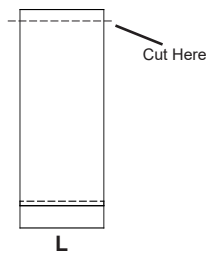


Figure 3a

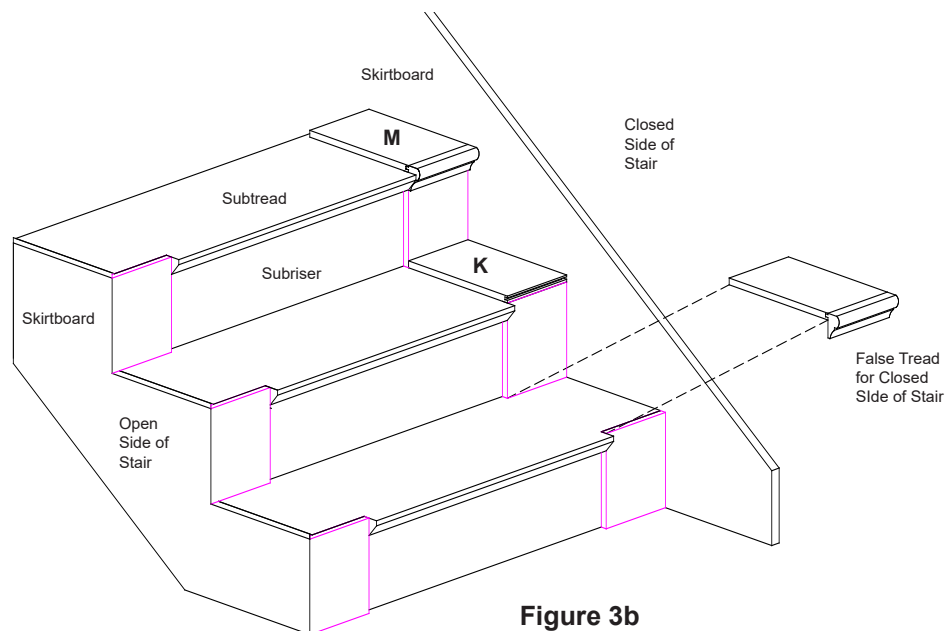


Figure 3b

PART 4 -- INSTALLING THE LJ-8179 FALSE TREADS ON THE OPEN SIDE OF THE STAIR

1. Measure the length of the false tread (**X**) from the face of one false riser to the face of the next false riser. (See Figure 4c.)
2. Determine the orientation of the false tread facing the stair. Mark the length of the tread from the edge of the front moulding to the back **N**. Using a straight edge mark a cut line along the inside edge of the side moulding through the back end of the tread and moulding **O**. (See Figure 4a.)
3. Cut across the width of the tread **N** towards the side moulding, stopping at the edge of the moulding. **CAUTION! Do Not cut through the moulding!** Finish the cut with a coping saw. (See Figure 4a and 4b.) **NOTE: It is a good idea to make preliminary cuts inside of the cutlines and then recut, file, or sand to final fit.**
4. Cut from the back of the tread along the edge of the moulding **O** intersecting the previous cut. Finish the cut with a coping saw. (See Figure 4a and 4b.)
5. Final fit and install the false treads to the stair using glue and finish nails **P**. (See Figure 4c.)

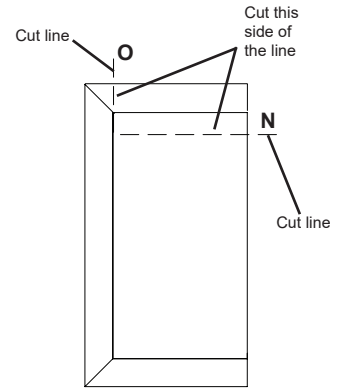


Figure 4a

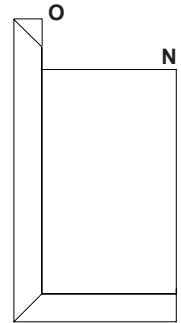


Figure 4b

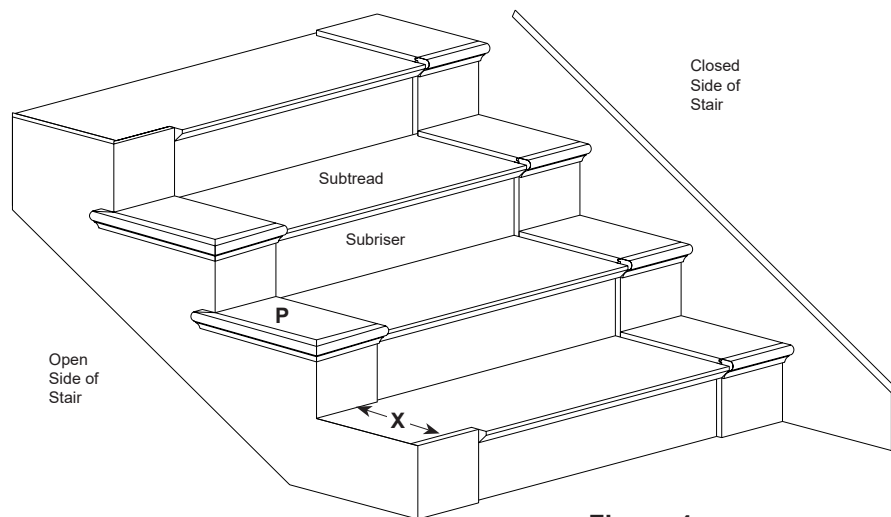
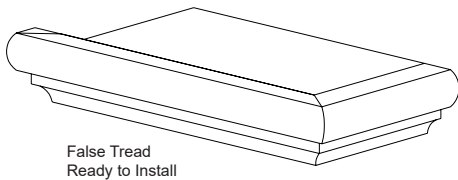


Figure 4c

PART 5 -- INSTALLING THE LJ-8010-2 FALSE STARTING STEP

1. When the LJ-8010-2 False Starting Step is used, the bottom rise of the rough horse should be made 1/2" shorter than the other rises. **NOTE: The 1/2" will be cut from the top of the bottom riser.** This will accommodate the difference in the thickness of the LJ-8010-2 1" and the treads in the LJ-8079 False Tread Kit which are 1/2" thick.
2. Cut the LJ-8010-2 riser to the correct rise. Secure the riser to the stair by screwing or nailing through the face of the riser into the stair and floor at the top and bottom edges where the cove and shoe mould will hide the screw heads. Attach the starting step tread to the stair and riser using glue and nails. Screws or nails can also be used underneath the bottom block of the starting newel where they will be hidden from view.
3. Prepare a 1/2" plywood shim per dimensions A, F, and D below in Figure 5a. Install the shim on top of the subtread between the LJ-8010-2 tread and the closed side finished skirtboard. The shim will run beneath the false tread on the closed side of the stair.

D= 1 1/4" nosing to keep the carpet even with the nosing on the False Treads.

F= Notch the closed end of the shim 1 1/4" deep and 6" wide for the closed side false tread.

A= The width of the carpet running down the middle of the steps.

4. Install the risers and treads opposite the false starting step. (See Figure 2, 3, and 5c.)

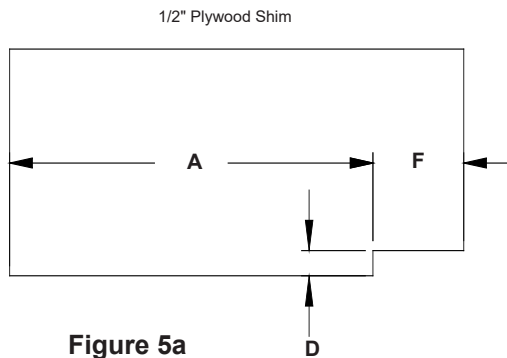


Figure 5a

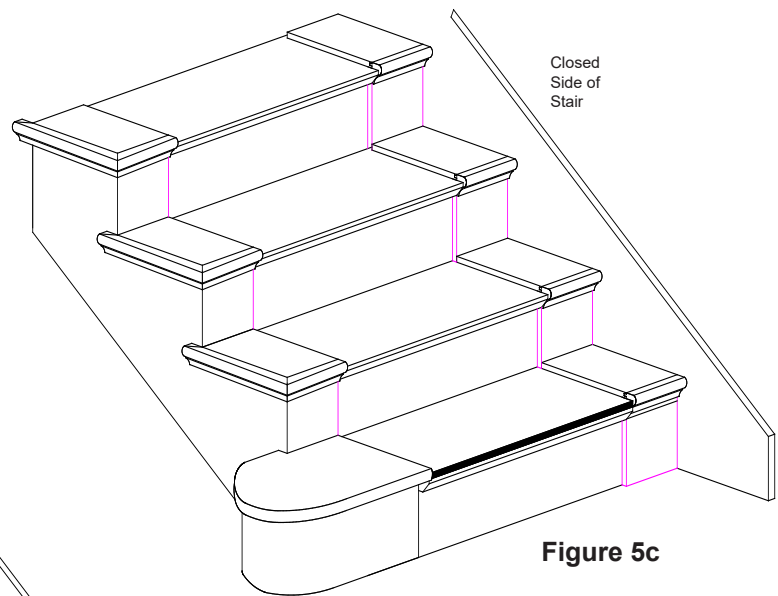


Figure 5c

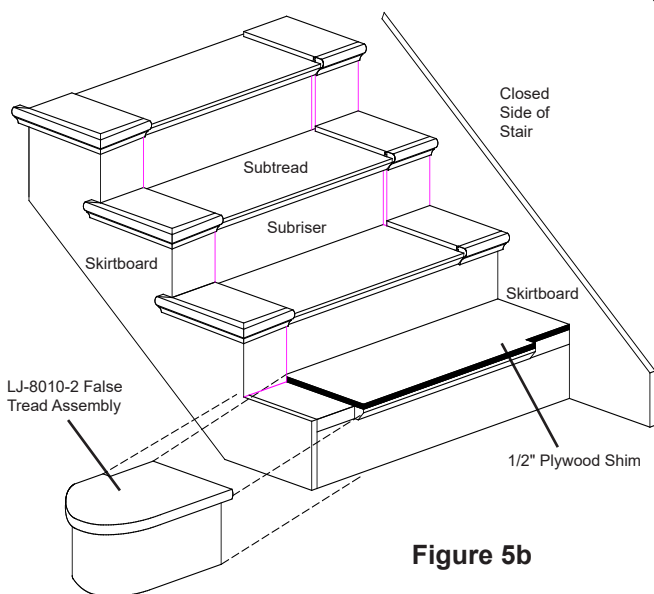


Figure 5b

L.J. Smith Stair Systems; 35280 Scio-Bowerston Road; Bowerston, OH 44695

Form No. LJ-1194-8179KIT

Phone (740) 269-2221

FAX (740) 269-9047

Copyright 1994 L.J. Smith Company